

INTERSTATE DESIGN IND.

1631 Pomona Rd.

Corona, Ca., 92880

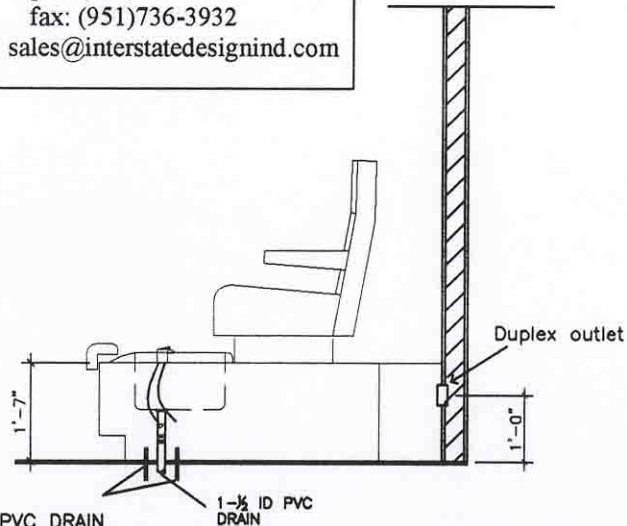
ph: (951)736-0777

fax: (951)736-3932

e-mail: sales@interstatedesignind.com

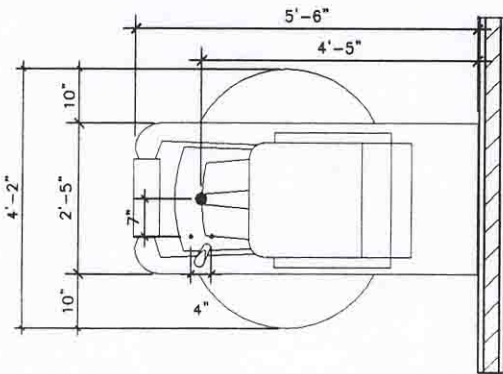
INSTALLATION DRAWING

PD 760-PF PIPELESS PEDICURE UNIT



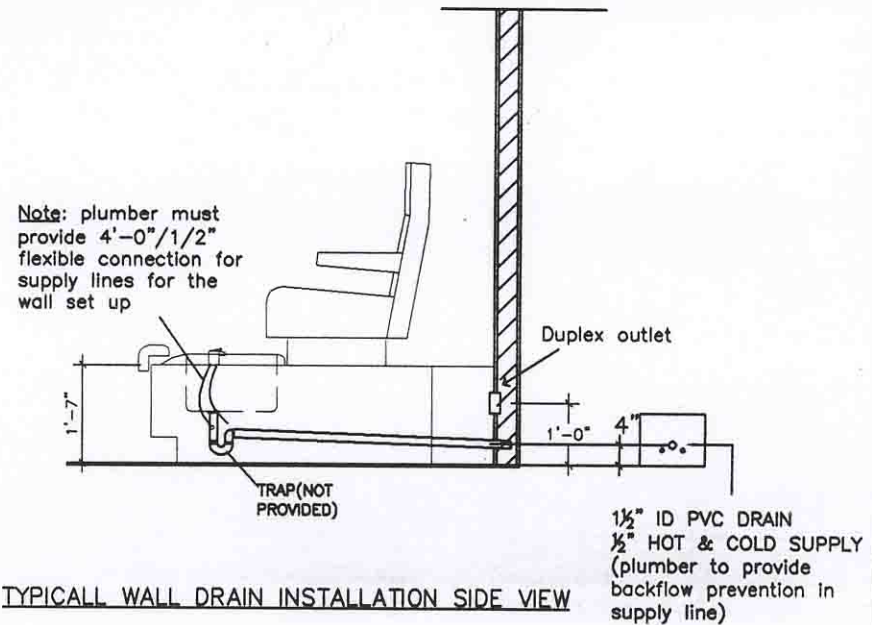
1 1/2" ID PVC DRAIN
1/2" HOT & COLD SUPPLY
(plumber to provide
backflow prevention in
supply line)

TYPICAL FLOOR DRAIN INSTALLATION SIDE VIEW



Electrical Requirements:
115V, 60HZ, 2AMP electrical
service required

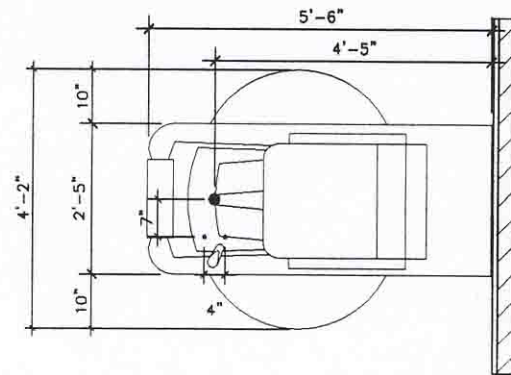
TYPICAL FLOOR DRAIN INSTALLATION TOP VIEW



Note: plumber must
provide 4'-0"/1/2"
flexible connection for
supply lines for the
wall set up

1 1/2" ID PVC DRAIN
1/2" HOT & COLD SUPPLY
(plumber to provide
backflow prevention in
supply line)

TYPICAL WALL DRAIN INSTALLATION SIDE VIEW



Electrical Requirements:
115V, 60HZ, 2AMP electrical
service required

TYPICAL WALL DRAIN INSTALLATION TOP VIEW